

Component-Level Information Packet for 5062-7079

Fast ADC



**HP Part No. 5958-7174
Printed in USA August 1995**

**HP Part Number 5062-7079
Fast ADC**

Reference Designator	HP Part Number	Qty	Description	Mfr Code	Mfr Part Number
C1	0180-3831	1	CAP-FXD 10uF +-10% 35 V TA	28480	0180-3831
C2	0160-4084	1	CAP-FXD 0.1uF +-20% 50 V CER X7R	28480	0160-4084
C3	0160-4084	1	CAP-FXD 0.1uF +-20% 50 V CER X7R	28480	0160-4084
C4	0180-3769	1	CAP-FXD 6.8uF +-10% 35 V TA	28480	0180-3769
C5	0160-4084	1	CAP-FXD 0.1uF +-20% 50 V CER X7R	28480	0160-4084
C6	0160-3879	1	CAP-FXD 0.01uF +-20% 100 V CER X7R	28480	0160-3879
C7	0180-3769	1	CAP-FXD 6.8uF +-10% 35 V TA	28480	0180-3769
C8	0160-4084	1	CAP-FXD 0.1uF +-20% 50 V CER X7R	28480	0160-4084
C9	0160-4084	1	CAP-FXD 0.1uF +-20% 50 V CER X7R	28480	0160-4084
C10	0160-4084	1	CAP-FXD 0.1uF +-20% 50 V CER X7R	28480	0160-4084
C11	0180-3831	1	CAP-FXD 10uF +-10% 35 V TA	28480	0180-3831
C12	0160-4084	1	CAP-FXD 0.1uF +-20% 50 V CER X7R	28480	0160-4084
C13	0160-4084	1	CAP-FXD 0.1uF +-20% 50 V CER X7R	28480	0160-4084
C14	0180-3831	1	CAP-FXD 10uF +-10% 35 V TA	28480	0180-3831
C15	0160-0575	1	CAP-FXD 0.047uF +-20% 50 V CER X7R	28480	0160-0575
C16	0160-0575	1	CAP-FXD 0.047uF +-20% 50 V CER X7R	28480	0160-0575
C17	0160-3879	1	CAP-FXD 0.01uF +-20% 100 V CER X7R	28480	0160-3879
C18	0160-3879	1	CAP-FXD 0.01uF +-20% 100 V CER X7R	28480	0160-3879
C19	0160-0575	1	CAP-FXD 0.047uF +-20% 50 V CER X7R	28480	0160-0575
C20	0160-0575	1	CAP-FXD 0.047uF +-20% 50 V CER X7R	28480	0160-0575
C21	0160-4084	1	CAP-FXD 0.1uF +-20% 50 V CER X7R	28480	0160-4084
C22	0160-4084	1	CAP-FXD 0.1uF +-20% 50 V CER X7R	28480	0160-4084
C23	0160-0575	1	CAP-FXD 0.047uF +-20% 50 V CER X7R	28480	0160-0575
C24	0160-4084	1	CAP-FXD 0.1uF +-20% 50 V CER X7R	28480	0160-4084
C25	0160-0575	1	CAP-FXD 0.047uF +-20% 50 V CER X7R	28480	0160-0575
C26	0160-0575	1	CAP-FXD 0.047uF +-20% 50 V CER X7R	28480	0160-0575
C27	0160-0575	1	CAP-FXD 0.047uF +-20% 50 V CER X7R	28480	0160-0575
C28	0160-3879	1	CAP-FXD 0.01uF +-20% 100 V CER X7R	28480	0160-3879
C29	0160-4084	1	CAP-FXD 0.1uF +-20% 50 V CER X7R	28480	0160-4084
C30	0160-4084	1	CAP-FXD 0.1uF +-20% 50 V CER X7R	28480	0160-4084
C31	0160-0575	1	CAP-FXD 0.047uF +-20% 50 V CER X7R	28480	0160-0575
C32	0160-4084	1	CAP-FXD 0.1uF +-20% 50 V CER X7R	28480	0160-4084
C33	0160-0575	1	CAP-FXD 0.047uF +-20% 50 V CER X7R	28480	0160-0575
C34	0160-0575	1	CAP-FXD 0.047uF +-20% 50 V CER X7R	28480	0160-0575
C35	0160-0575	1	CAP-FXD 0.047uF +-20% 50 V CER X7R	28480	0160-0575

**Indicates factory-selected value*

**HP Part Number 5062-7079
Fast ADC (continued)**

Reference Designator	HP Part Number	Qty	Description	Mfr Code	Mfr Part Number
C36	0160-0575	1	CAP-FXD 0.047uF +-20% 50 V CER X7R	28480	0160-0575
C37	0160-4084	1	CAP-FXD 0.1uF +-20% 50 V CER X7R	28480	0160-4084
C38	0160-4084	1	CAP-FXD 0.1uF +-20% 50 V CER X7R	28480	0160-4084
C39	0160-0575	1	CAP-FXD 0.047uF +-20% 50 V CER X7R	28480	0160-0575
C40	0160-0575	1	CAP-FXD 0.047uF +-20% 50 V CER X7R	28480	0160-0575
C41	0160-4084	1	CAP-FXD 0.1uF +-20% 50 V CER X7R	28480	0160-4084
C42	0160-0575	1	CAP-FXD 0.047uF +-20% 50 V CER X7R	28480	0160-0575
C43	0160-0575	1	CAP-FXD 0.047uF +-20% 50 V CER X7R	28480	0160-0575
C44	0160-0575	1	CAP-FXD 0.047uF +-20% 50 V CER X7R	28480	0160-0575
C45	0160-4084	1	CAP-FXD 0.1uF +-20% 50 V CER X7R	28480	0160-4084
C46	0160-0575	1	CAP-FXD 0.047uF +-20% 50 V CER X7R	28480	0160-0575
C47	0160-4084	1	CAP-FXD 0.1uF +-20% 50 V CER X7R	28480	0160-4084
C48	0160-0575	1	CAP-FXD 0.047uF +-20% 50 V CER X7R	28480	0160-0575
C49	0160-4084	1	CAP-FXD 0.1uF +-20% 50 V CER X7R	28480	0160-4084
C50	0160-4084	1	CAP-FXD 0.1uF +-20% 50 V CER X7R	28480	0160-4084
C51	0180-3831	1	CAP-FXD 10uF +-10% 35 V TA	28480	0180-3831
C52	0160-4084	1	CAP-FXD 0.1uF +-20% 50 V CER X7R	28480	0160-4084
C53	0160-4084	1	CAP-FXD 0.1uF +-20% 50 V CER X7R	28480	0160-4084
C54	0180-3831	1	CAP-FXD 10uF +-10% 35 V TA	28480	0180-3831
C56	0160-4084	1	CAP-FXD 0.1uF +-20% 50 V CER X7R	28480	0160-4084
C58	0160-4084	1	CAP-FXD 0.1uF +-20% 50 V CER X7R	28480	0160-4084
C59	0160-4084	1	CAP-FXD 0.1uF +-20% 50 V CER X7R	28480	0160-4084
C60	0160-0575	1	CAP-FXD 0.047uF +-20% 50 V CER X7R	28480	0160-0575
E1	9100-1788	1	CORE-FERRITE CHOKE-WIDEBAND;IMP:>680	28480	9100-1788
E2	9100-1788	1	CORE-FERRITE CHOKE-WIDEBAND;IMP:>680	28480	9100-1788
E3	9170-1419	1	CORE-SHIELDING BEAD	28480	9170-1419
J1	1251-8912	1	CONN-POST TYPE .100-PIN-SPCG-MTG-END	28480	1251-8912
L1	9100-1629	1	INDUCTOR RF-CH-MLD 47uH +-5%	28480	9100-1629
L2	9100-1629	1	INDUCTOR RF-CH-MLD 47uH +-5%	28480	9100-1629
MP2	0403-0630	1	EXTR-PC BD BRN NYL .062-IN-BD-THKNS	02123	91-2-BROWN-9
MP3	0403-0621	1	EXTR-PC BD BLK NYL .062-IN-BD-THKNS	02123	91-2-BLACK-5
MP4	5002-0644	1	SHIELD-ADC	28480	5002-0644
Q1	1855-0555	1	TRANSISTOR MOSFET N-CHAN E-MODE SI	28480	1855-0555
R1	0698-7222	1	RESISTOR 261 +-1% .05W TF TC=0+-100	28480	0698-7222
R2	0698-7234	1	RESISTOR 825 +-1% .05W TF TC=0+-100	28480	0698-7234

**HP Part Number 5062-7079
Fast ADC (continued)**

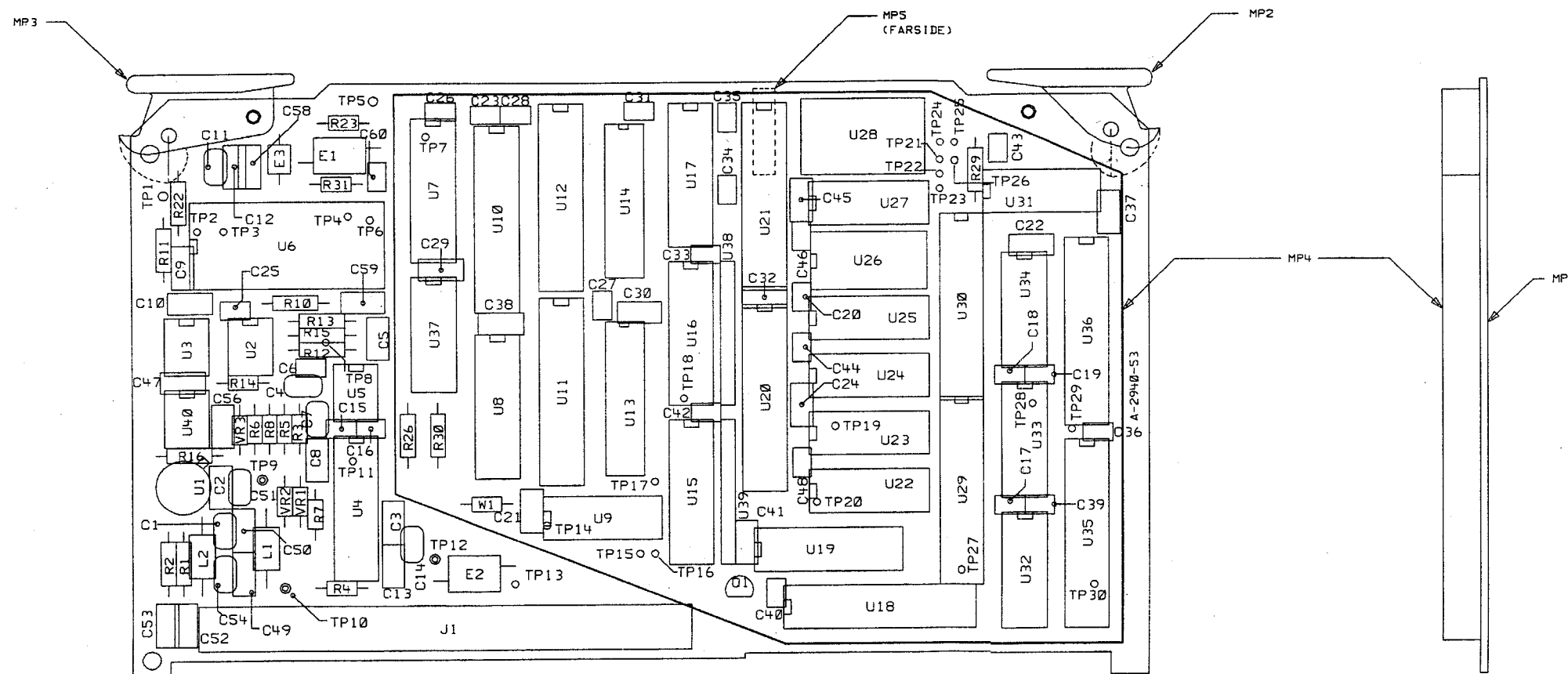
Reference Designator	HP Part Number	Qty	Description	Mfr Code	Mfr Part Number
R3	0698-7236	1	RESISTOR 1K +-1% .05W TF TC=0+-100	28480	0698-7236
R4	0698-7260	1	RESISTOR 10K +-1% .05W TF TC=0+-100	28480	0698-7260
R5	0698-7222	1	RESISTOR 261 +-1% .05W TF TC=0+-100	28480	0698-7222
R6	0698-7236	1	RESISTOR 1K +-1% .05W TF TC=0+-100	28480	0698-7236
R7	0698-7212	1	RESISTOR 100 +-1% .05W TF TC=0+-100	28480	0698-7212
R8	0698-7198	1	RESISTOR 26.1 +-1% .05W TF TC=0+-100	28480	0698-7198
R10	0698-6320	1	RESISTOR 5K +-0.1% .125W TF TC=0+-25	28480	0698-6320
R11	0698-3445	1	RESISTOR 348 +-1% .125W TF TC=0+-100	28480	0698-3445
R12	0698-6360	1	RESISTOR 10K +-0.1% .125W TF TC=0+-25	28480	0698-6360
R13	0698-6360	1	RESISTOR 10K +-0.1% .125W TF TC=0+-25	28480	0698-6360
R14	0698-6377	1	RESISTOR 200 +-0.1% .125W TF TC=0+-25	28480	0698-6377
R15	0699-0154	1	RESISTOR 7.2K +-0.1% .125W TF TC=0+-25	28480	0699-0154
R16	0698-3445	1	RESISTOR 348 +-1% .125W TF TC=0+-100	28480	0698-3445
R22	0698-7260	1	RESISTOR 10K +-1% .05W TF TC=0+-100	28480	0698-7260
R23	0698-7260	1	RESISTOR 10K +-1% .05W TF TC=0+-100	28480	0698-7260
R26	0698-7260	1	RESISTOR 10K +-1% .05W TF TC=0+-100	28480	0698-7260
R29	0698-7260	1	RESISTOR 10K +-1% .05W TF TC=0+-100	28480	0698-7260
R30	0698-7260	1	RESISTOR 10K +-1% .05W TF TC=0+-100	28480	0698-7260
R31	0698-7225	1	RESISTOR 348 +-1% .05W TF TC=0+-100	28480	0698-7225
TP1	1251-0600	1	CONNECTOR-SGL CONT PIN 1.14-MM-BSC-SZ SQ	01136	928-196-004140
TP5	1251-0600	1	CONNECTOR-SGL CONT PIN 1.14-MM-BSC-SZ SQ	01136	928-196-004140
U1	1826-0558	1	IC PWR MGT-V-REG-ADJ-NEG 1.2/37V TO-39	28480	1826-0558
U2	1826-1431	1	IC PWR MGT-V-REF-FXD 4.9975/5.0025V 8	28480	1826-1431
U3	1826-1135	1	IC OP AMP PRCN 8 PIN DIP-C	28480	1826-1135
U4	1826-1998	1	ANALOG MULTIPLEXER 4 CHNL 18 -DIP-P	28480	1826-1998
U5	1826-2011	1	IC OP AMP WB 8 PIN DIP-P	28480	1826-2011
U6	1826-1731	1	A/D 8-BIT 24-CERDIP BPLR	28480	1826-1731
U7	1820-3695	1	IC FF TTL/AS D-TYPE POS-EDGE-TRIG COM	28480	1820-3695
U8	1820-3456	1	IC DRVR CMOS/HCT BUS OCTL	28480	1820-3456
U9	1820-3590	1	IC GATE TTL/AS OR QUAD 2-INP	28480	1820-3590
U10	1820-2899	1	IC COMPTR TTL/AS MAGTD 8-BIT	28480	1820-2899
U11	1820-4652	1	IC FF TTL/AS D-TYPE POS-EDGE-TRIG COM	28480	1820-4652
U12	1820-2899	1	IC COMPTR TTL/AS MAGTD 8-BIT	28480	1820-2899
U13	1818-4130	1	IC 64K-BIT SRAM 20-NS CMOS	28480	1818-4130
U14	1818-4130	1	IC 64K-BIT SRAM 20-NS CMOS	28480	1818-4130

**Indicates factory-selected value*

**HP Part Number 5062-7079
Fast ADC (continued)**

Reference Designator	HP Part Number	Qty	Description	Mfr Code	Mfr Part Number
U15	5181-5016	1	PAL-PRGMD U15	28480	5181-5016
U16	1820-3695	1	IC FF TTL/AS D-TYPE POS-EDGE-TRIG COM	28480	1820-3695
U17	1820-3695	1	IC FF TTL/AS D-TYPE POS-EDGE-TRIG COM	28480	1820-3695
U18	1821-0131	1	IC FF BICMOS/ABT D-TYPE POS-EDGE-TRIG	28480	1821-0131
U19	1820-3695	1	IC FF TTL/AS D-TYPE POS-EDGE-TRIG COM	28480	1820-3695
U20	1820-4125	1	IC CNTR TTL/F BIN UP/DOWN SYNCHRO	28480	1820-4125
U21	1820-4125	1	IC CNTR TTL/F BIN UP/DOWN SYNCHRO	28480	1820-4125
U22	1820-3735	1	IC FF TTL/AS J-K BAR POS-EDGE-TRIG	28480	1820-3735
U23	1820-3591	1	IC GATE TTL/AS NAND QUAD 2-INP	28480	1820-3591
U24	1820-2696	1	IC FF TTL/F D-TYPE POS-EDGE-TRIG COM CLK	28480	1820-2696
U25	1820-3732	1	IC GATE TTL/AS AND TPL 3-INP	28480	1820-3732
U26	1810-0960	1	DELAY LINE ACTIVE DEVICE W/DUAL IN-LINE	28480	1810-0960
U27	1820-3747	1	IC MUXR/DATA-SEL TTL/AS 4-TO-1-LINE DUAL	28480	1820-3747
U28	1813-0119	1	CLK-OSC-XTAL STD 40.0-MHZ 0.01%	28480	1813-0119
U29	1820-4535	1	IC LCH TTL/ALS TRANSPARENT 10-BIT	28480	1820-4535
U30	1820-4125	1	IC CNTR TTL/F BIN UP/DOWN SYNCHRO	28480	1820-4125
U31	1820-3493	1	IC FF TTL/AS D-TYPE POS-EDGE-TRIG	28480	1820-3493
U32	1820-3335	1	IC GATE TTL/ALS NAND QUAD 2-INP	28480	1820-3335
U33	1820-3729	1	IC GATE TTL/AS NOR QUAD 2-INP	28480	1820-3729
U34	1820-2696	1	IC FF TTL/F D-TYPE POS-EDGE-TRIG COM CLK	28480	1820-2696
U35	1820-4125	1	IC CNTR TTL/F BIN UP/DOWN SYNCHRO	28480	1820-4125
U36	1820-4125	1	IC CNTR TTL/F BIN UP/DOWN SYNCHRO	28480	1820-4125
U37	1820-3732	1	IC GATE TTL/AS AND TPL 3-INP	28480	1820-3732
U38	1810-0279	1	NETWORK-RES 10-SIP 4.7K OHM X 9	28480	1810-0279
U39	1810-0270	1	NETWORK-RES 10-SIP 680.0 OHM X 9	28480	1810-0270
U40	1826-1135	1	IC OP AMP PRCN 8 PIN DIP-C	28480	1826-1135
VR1	1902-0950	1	DIODE-ZNR 4.7V 5% DO-35 PD=.4W TC=+.025%	28480	1902-0950
VR2	1902-0554	1	DIODE-ZNR 10V 5% PD=1W IR=10UA	28480	1902-0554
VR3	1902-0950	1	DIODE-ZNR 4.7V 5% DO-35 PD=.4W TC=+.025%	28480	1902-0950
W1	8159-0005	1	RESISTOR 0 CWM	28480	8159-0005

S300		D-5062-7079-2	
SYM	REVISIONS	APPROVED	DATE
B	REV'D & REDRAWN: ESP TO EEDP		
	M/L CHANGE PCO S300-08079 DM		

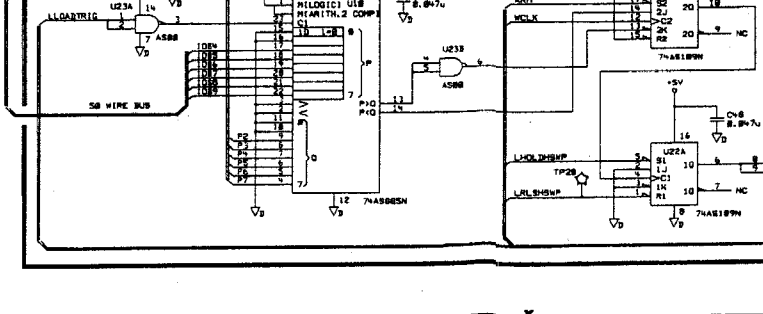
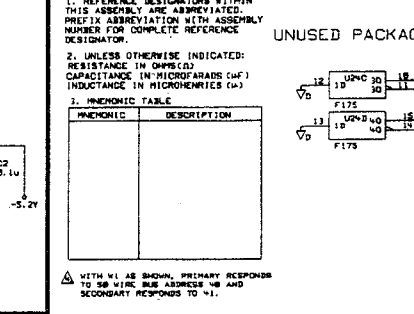
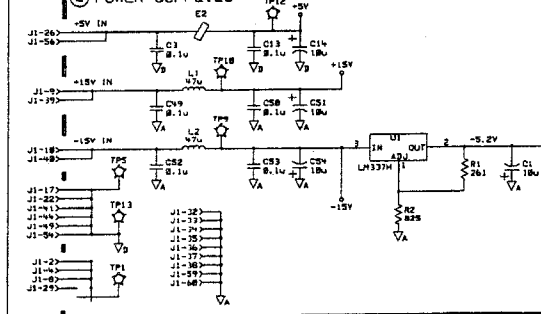
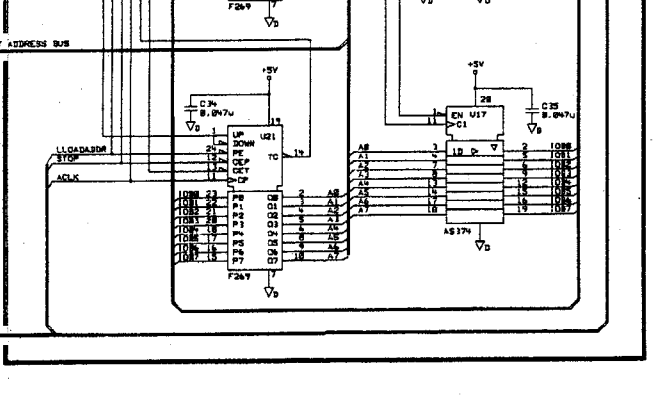
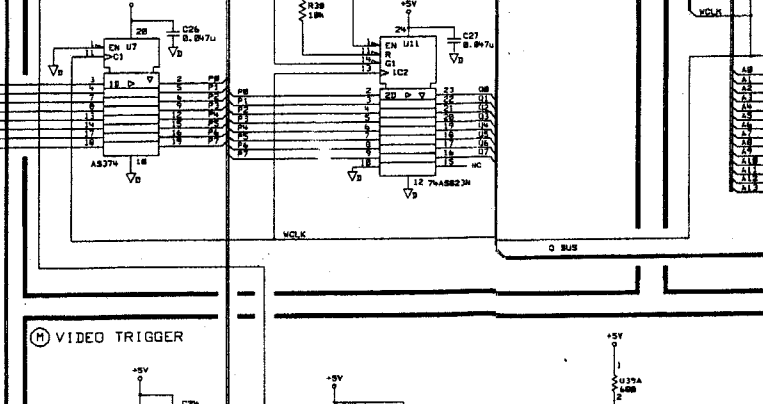
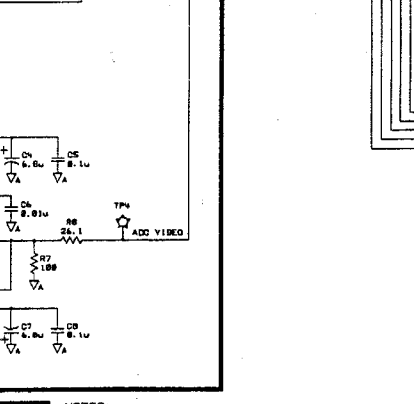
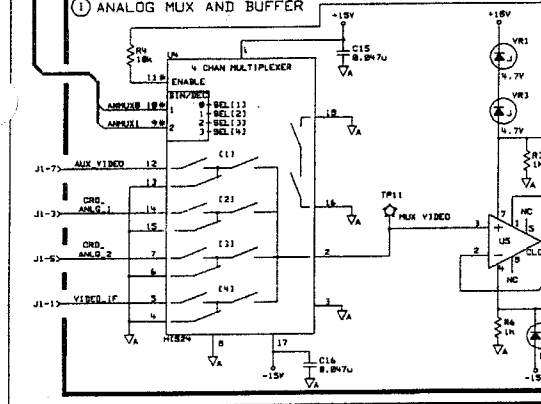
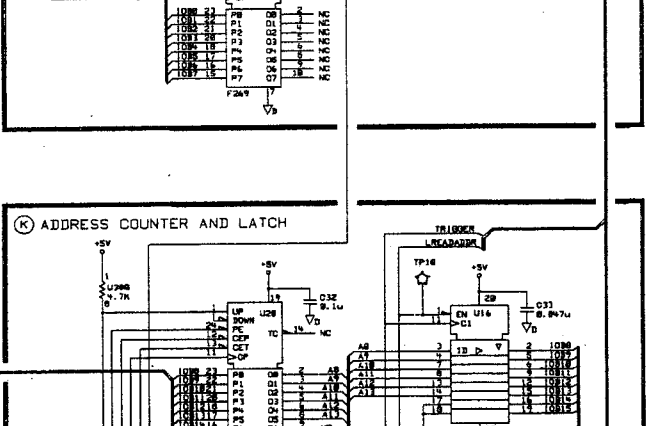
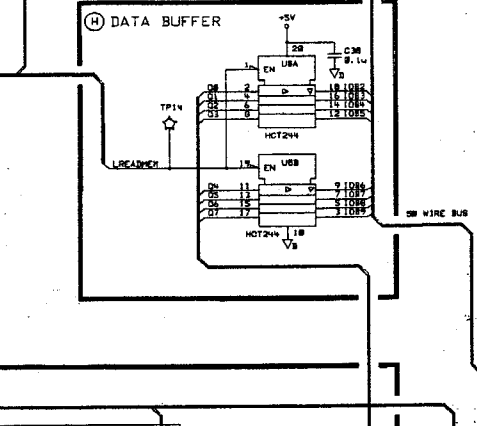
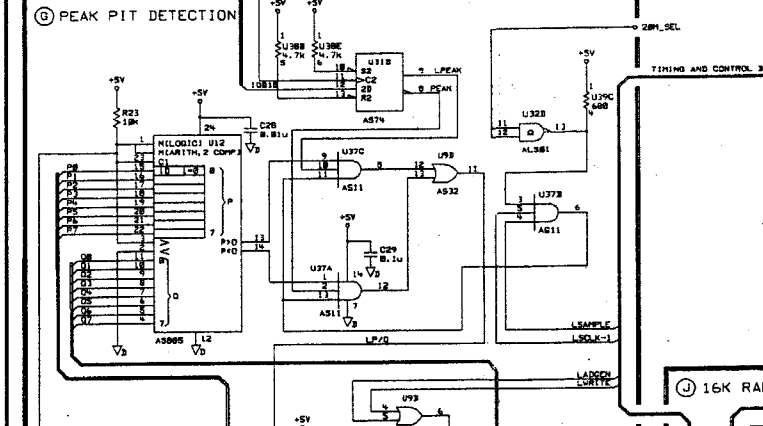
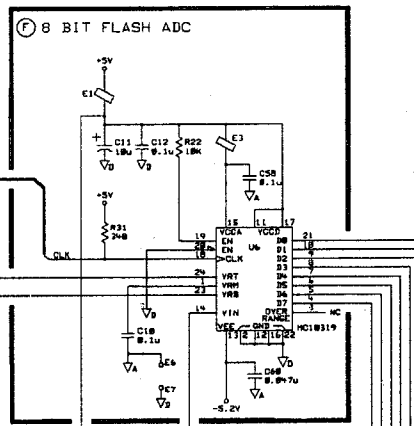
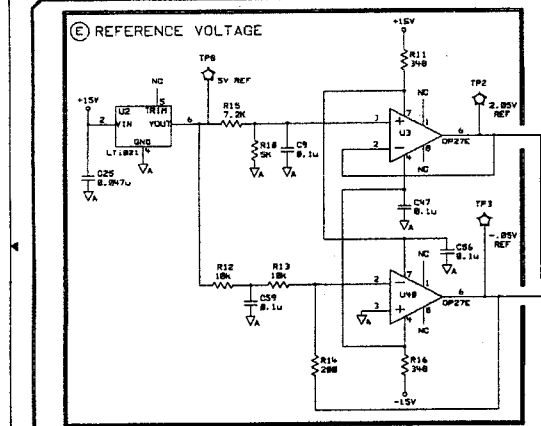
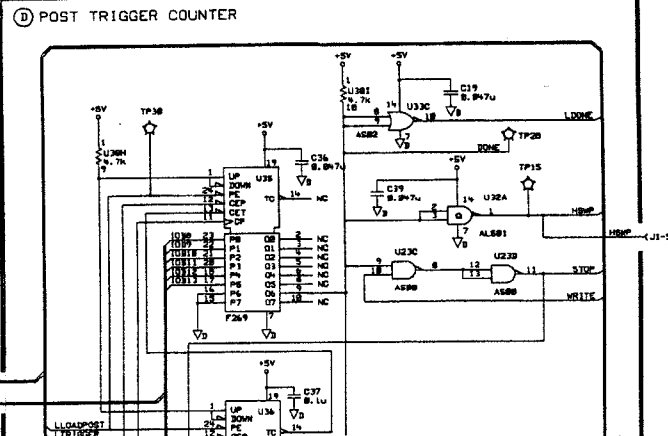
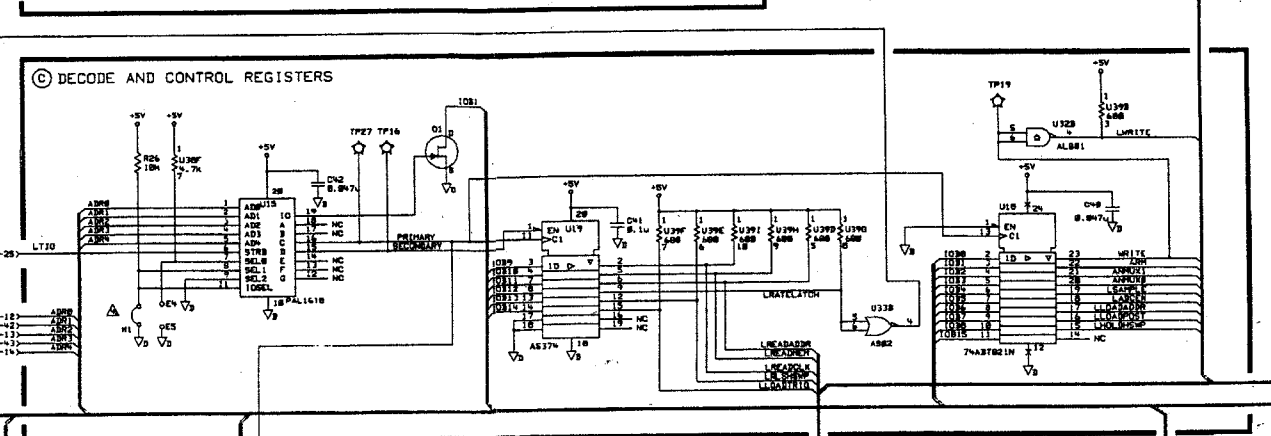
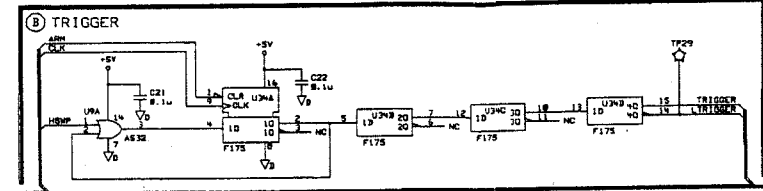
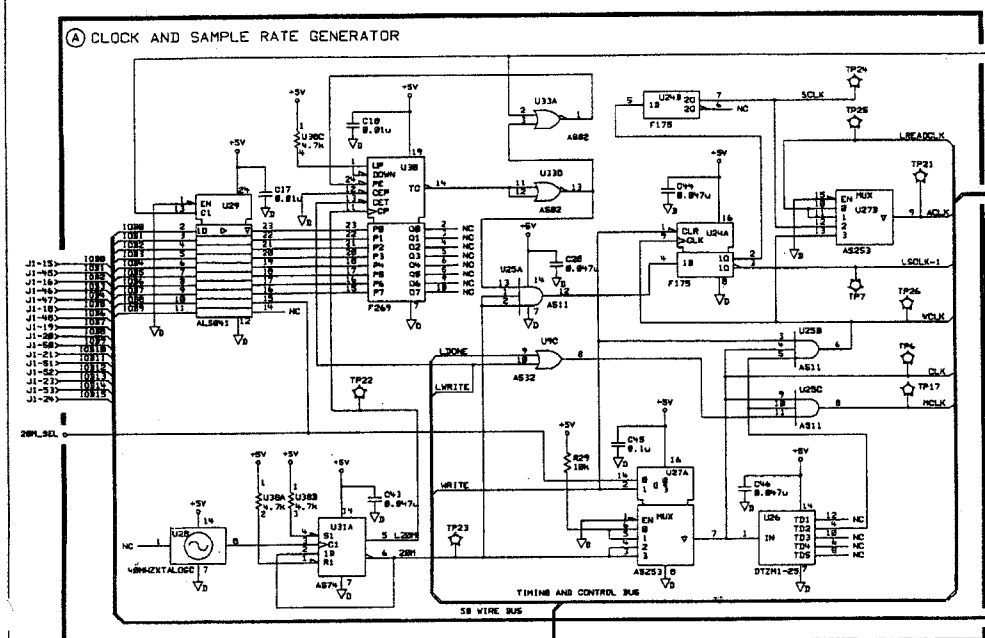


NOTES: UNLESS OTHERWISE SPECIFIED

1. DIMENSIONS ARE IN INCHES.
2. REMOVE TABS AFTER WAVE SOLDER.
3. MAXIMUM COMPONENT HEIGHT .503.
4. MAXIMUM LEAD TRIM LENGTH .118.
5. CHECK FOR MODIFICATIONS IN THE P.C. LINE ASSEMBLY DOCUMENTATION MANUAL A-5062-A101.

SEE 5062-7079 MATERIAL LIST

HP PROPRIETARY THIS DOCUMENT CONTAINS CONFIDENTIAL, PROPRIETARY INFORMATION THAT IS HEWLETT-PACKARD (HP) PROPERTY. DO NOT DISCLOSE TO OR DUPLICATE FOR OTHERS EXCEPT AS AUTHORIZED BY HP.	UNLESS OTHERWISE SPECIFIED, DIMENSIONS ARE IN INCHES.		DRAWN BY	DATE	ASSEMBLY, PWB 20MHz FAST ADC TITLE	almac079	HEWLETT-PACKARD
	TOLERANCES: XX.XXX ±.010 XX.XX ±.02		ENGINEER/CHECKER	DATE		SCALE NONE	
	THIRD ANGLE PROJECTION		RELEASE TO PROD.	DATE		SHEET 1 OF 1	
	DO NOT SCALE THIS DRAWING		SUPERSEDES DWG.			5062-7079 PART NUMBER	
						D-5062-7079-2	



SIGNAL	BLOCK	TEST POINT	BLK	TEST POINT	BLK
DM1_SEL	A.0	1	AD08	L	16
DM2_SEL	A.1	2	AD09	L	17
DM3_SEL	A.2	3	AD10	L	18
DM4_SEL	A.3	4	AD11	L	19
DM5_SEL	A.4	5	AD12	L	20
DM6_SEL	A.5	6	AD13	L	21
DM7_SEL	A.6	7	AD14	L	22
DM8_SEL	A.7	8	AD15	L	23
DM9_SEL	A.8	9	AD16	L	24
DM10_SEL	A.9	10	AD17	L	25
DM11_SEL	A.10	11	AD18	L	26
DM12_SEL	A.11	12	AD19	L	27
DM13_SEL	A.12	13	AD20	L	28
DM14_SEL	A.13	14	AD21	L	29
DM15_SEL	A.14	15	AD22	L	30
DM16_SEL	A.15	16	AD23	L	31
DM17_SEL	A.16	17	AD24	L	32
DM18_SEL	A.17	18	AD25	L	33
DM19_SEL	A.18	19	AD26	L	34
DM20_SEL	A.19	20	AD27	L	35
DM21_SEL	A.20	21	AD28	L	36
DM22_SEL	A.21	22	AD29	L	37
DM23_SEL	A.22	23	AD30	L	38
DM24_SEL	A.23	24	AD31	L	39
DM25_SEL	A.24	25	AD32	L	40
DM26_SEL	A.25	26	AD33	L	41
DM27_SEL	A.26	27	AD34	L	42
DM28_SEL	A.27	28	AD35	L	43
DM29_SEL	A.28	29	AD36	L	44
DM30_SEL	A.29	30	AD37	L	45
DM31_SEL	A.30	31	AD38	L	46
DM32_SEL	A.31	32	AD39	L	47
DM33_SEL	A.32	33	AD40	L	48
DM34_SEL	A.33	34	AD41	L	49
DM35_SEL	A.34	35	AD42	L	50
DM36_SEL	A.35	36	AD43	L	51
DM37_SEL	A.36	37	AD44	L	52
DM38_SEL	A.37	38	AD45	L	53
DM39_SEL	A.38	39	AD46	L	54
DM40_SEL	A.39	40	AD47	L	55
DM41_SEL	A.40	41	AD48	L	56
DM42_SEL	A.41	42	AD49	L	57
DM43_SEL	A.42	43	AD50	L	58
DM44_SEL	A.43	44	AD51	L	59
DM45_SEL	A.44	45	AD52	L	60
DM46_SEL	A.45	46	AD53	L	61
DM47_SEL	A.46	47	AD54	L	62
DM48_SEL	A.47	48	AD55	L	63
DM49_SEL	A.48	49	AD56	L	64
DM50_SEL	A.49	50	AD57	L	65
DM51_SEL	A.50	51	AD58	L	66
DM52_SEL	A.51	52	AD59	L	67
DM53_SEL	A.52	53	AD60	L	68
DM54_SEL	A.53	54	AD61	L	69
DM55_SEL	A.54	55	AD62	L	70
DM56_SEL	A.55	56	AD63	L	71
DM57_SEL	A.56	57	AD64	L	72
DM58_SEL	A.57	58	AD65	L	73
DM59_SEL	A.58	59	AD66	L	74
DM60_SEL	A.59	60	AD67	L	75
DM61_SEL	A.60	61	AD68	L	76
DM62_SEL	A.61	62	AD69	L	77
DM63_SEL	A.62	63	AD70	L	78
DM64_SEL	A.63	64	AD71	L	79
DM65_SEL	A.64	65	AD72	L	80
DM66_SEL	A.65	66	AD73	L	81
DM67_SEL	A.66	67	AD74	L	82
DM68_SEL	A.67	68	AD75	L	83
DM69_SEL	A.68	69	AD76	L	84
DM70_SEL	A.69	70	AD77	L	85
DM71_SEL	A.70	71	AD78	L	86
DM72_SEL	A.71	72	AD79	L	87
DM73_SEL	A.72	73	AD80	L	88
DM74_SEL	A.73	74	AD81	L	89
DM75_SEL	A.74	75	AD82	L	90
DM76_SEL	A.75	76	AD83	L	91
DM77_SEL	A.76	77	AD84	L	92
DM78_SEL	A.77	78	AD85	L	93
DM79_SEL	A.78	79	AD86	L	94
DM80_SEL	A.79	80	AD87	L	95
DM81_SEL	A.80	81	AD88	L	96
DM82_SEL	A.81	82	AD89	L	97
DM83_SEL	A.82	83	AD90	L	98
DM84_SEL	A.83	84	AD91	L	99
DM85_SEL	A.84	85	AD92	L	100

HP PROPRIETARY
 THIS DOCUMENT CONTAINS CONFIDENTIAL,
 PROPRIETARY INFORMATION THAT IS
 HEWLETT-PACKARD (HP) PROPERTY.
 DO NOT DISCLOSE TO OR DUPLICATE FOR
 OTHERS EXCEPT AS AUTHORIZED BY HP.

DRAWN BY	04-08-94	DATE	SIMRC079	FILENAME	HP	HEWLETT PACKARD
ENGINEER/CHECKER	04-09-94	DATE	SCALE	NONE		
RELEASE TO PROD.	1-17-91	DATE	SHEET	1 OF 1	5062-7079	PART NUMBER
REV A	1-17-91	DATE	TITLE		D-5062-7079-1	